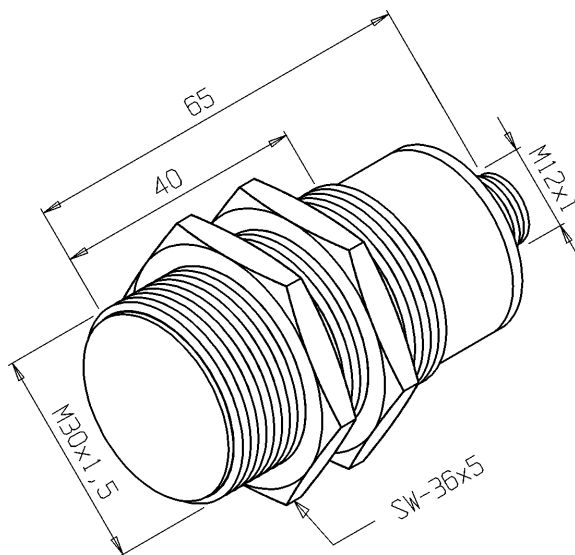


Dimensions: mm



Sensor Type.....	Magnetic Reed Switch Sensor
Part Number.....	07.021.6761/000
Mounting.....	Flush or Non-Flush
Operating Distance (Sn).....	Depends on Target (See page 2)
Hysteresis.....	30% ~ 100% x Sn
Housing Style.....	Tubular M30x1,5 mm
Housing Type.....	Metal
Housing Material.....	Nickel Plated Brass
Connection.....	M12 4-poles connector
Degree of Protection.....	IP-67
Contact Resistance (initial).....	0,15 Ω
Contact Material.....	Rhodium
Operating Temperature.....	0°C to +70°C
Output Type.....	Normally-open
Switching Voltage.....	≤ 250 V (Vdc or Vac)
Contact Rating.....	≤ 25 W (or VA)
Switching Current.....	≤ 1 A
Operate Time (Bounce Included).....	≤ 5 ms
Release Time (Bounce Included).....	≤ 5 ms
Switching Frequency.....	≤ 20 Hz

Connection Instruction.....

