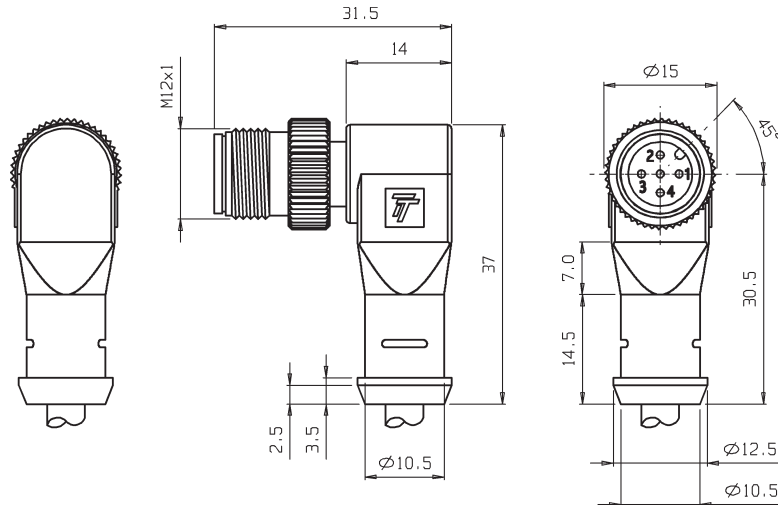
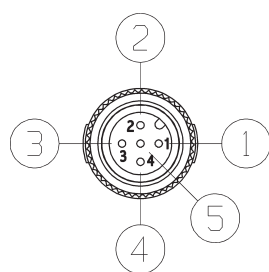


Dimensões: mm



Type.....	M12 Male Connector
Design.....	Angled
Part Number.....	09.917.1204/000
Operating Temperature Range.....	-25°C to +90°C
Molded Body (A).....	TPU Yellow (HB), flame retardant ⁽¹⁾
Dielectric Material (B).....	TPU Black (HB), flame retardant ⁽²⁾
Contact.....	CuZn, pre-nickel and 0.15 microns gold-plated
Knurled Nut.....	Zamak, nickel-plated
O-ring.....	Nitrile Rubber or Viton
Poles.....	5
Cable External Cap.....	TPU (HB), flame retardant ⁽³⁾ (Ø ≤ 5,5 mm)
Cable External Cap Colour.....	Gray
Wire Connection Cap.....	PVC, no flame retardant ⁽⁴⁾ (Ø ≤ 1,8 mm)
Wire Connection.....	5 wires (0,25 mm ²)
Cable Length.....	2 meters
Degree of Protection.....	IP-67
Contact Resistance.....	≤ 5 mΩ
Nominal Current (at 40°C).....	3 A
Rated Voltage.....	30 Vac / 36 Vdc
Insulation Resistance.....	> 10 ⁹ Ω

Wiring:



- ① —————> Brown
- ② —————> White
- ③ —————> Blue
- ④ —————> Black
- ⑤ —————> Green

Reservamo-nos do direito de modificar qualquer informação contida neste site sem prévio aviso
 Tecnotron Automação & Controles Industriais | Rua vera cruz, 305 - CEP: 06423-010 - Barueri - SP
 Tel: +55 (11) 2744-1211 | www.tecnotron.ind.br

(1)Elastollan C85A10 - Unreinforced..... Temperature class = 80°C
 (2)Elastollan R3000 - Glass fiber reinforced..... Temperature class = 155°C
 (3)Elastollan C85A10 - Unreinforced..... Temperature class = 80°C
 (4)BENVIC E 7/51 HMF MARFIM - Unreinforced..... Temperature class = 105°C