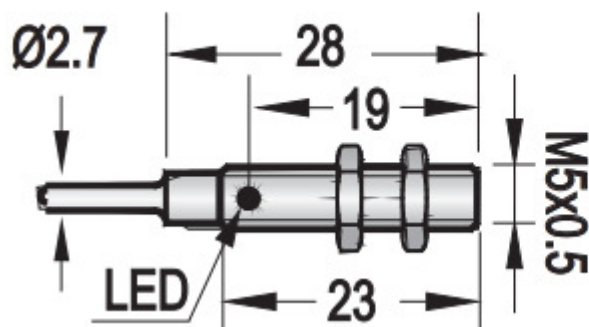


## IB-0,8X-5CA-NA/PCL

Drawing :

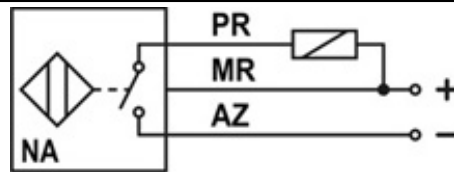


<b>Part Number :</b>	01.913.1481/901
<b>Housing Size :</b>	M5mm
<b>Installation Type :</b>	Shielded
<b>Sensing Distance (Sn: mm) :</b>	0.8mm
<b>Assured Operating Distance (Sa: mm) :</b>	0.65mm
<b>Standard Sensing Object :</b>	Steel 5x5x1mm
<b>Tolerance :</b>	±10%
<b>Hysteresis (% Of Sr) :</b>	15%
<b>Housing Material :</b>	Stainless steel
<b>Operating Voltage :</b>	10 ... 30VDC
<b>Rated Operating Voltage :</b>	24VDC
<b>Polarity :</b>	NPN N.O.
<b>Repeated Accuracy (% Of Sr) :</b>	±10%
<b>Ripple :</b>	<10%
<b>No Load Current :</b>	<10mA
<b>Max. Load Current :</b>	200mA
<b>Leakage Current :</b>	<0.01mA
<b>Voltage Drop :</b>	<1.5V
<b>Switching Frequency :</b>	2KHz
<b>Response Time :</b>	0.1ms / 0.1ms
<b>Rated Insulation Voltage :</b>	75VDC
<b>Operating Temperature :</b>	-25°C ... +75°C
<b>Temperature Drift (% Of Sr) :</b>	<10%
<b>Power Indicator :</b>	No
<b>Function Indicator :</b>	Yellow LED
<b>Short-Circuit Protection :</b>	Yes
<b>Short-Circuit Protection :</b>	Yes
<b>Overload Trip Point :</b>	220mA

<b>Correction Factors :</b>	Fe37 steel=1 / stainless steel approx.0.85 / brass approx.0.5 / Al. approx. 0.45 / copper approx. 0.40
<b>Sensing Surface Material :</b>	POM
<b>Protection :</b>	IP67
<b>Shock Rating :</b>	Shock, half-sinus, 30gn, 11ms
<b>Vibration Rating :</b>	55Hz, 1mm ampl., 3x30min.
<b>EMC :</b>	IEC 60947-5-2
<b>Accessory :</b>	2 nuts
<b>Connection :</b>	2m PVC cable (Ø2.7 3x0.15)
<b>Weight :</b>	Approx. 25g

---

**Wiring diagram :**




---

Reservamo-nos do direito de modificar qualquer informação contida neste site sem prévio aviso  
Tecnotron Automação & Controles Industriais | Rua vera cruz, 305 - CEP: 06423-010 - Barueri - SP  
Tel: +55 (11) 2744-1211 | [www.tecnotron.ind.br](http://www.tecnotron.ind.br)