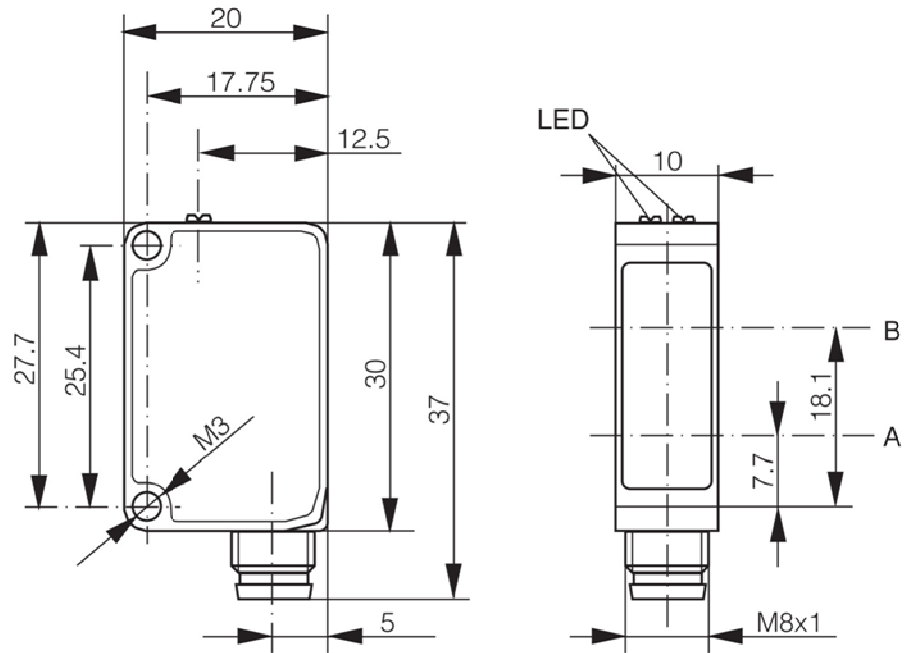


SRF-800P-3020F4-PR/PCL

Drawing :

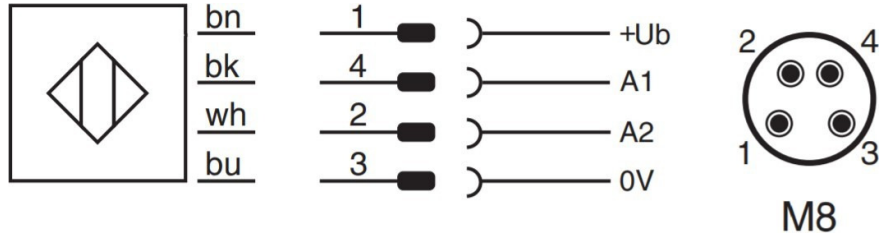


A: emitter axis B: receiver axis

Part Number	04.914.0041/951
Operating Principle	Reflex
Sensing Range Typ. Max.	20...8000 mm
Light Source	LED, red 630 nm
Light Spot Size (Distance)	Ø 30 mm (1 m)/Ø 140 mm (6 m)
Polarizing Filter	Yes
Housing Size	20 x 37 x 10 mm
Sensitivity Adjustment	2500...8000 mm, IO-Link
Indicator Led, Green	Excess gain
Indicator Led, Yellow	Sensing state
Polarity	PNP
Output (A1)	Light-on/IO-Link
Output (A2)	Dark-on
Interface	IO-Link
Connection	M8 4-pin
Supply Voltage	10...30 VDC
Residual Ripple	≤ 10% V _{pp}
Output Current	≤ 100 mA
Power Consumption (No Load)	≤ 15 mA
Switching Frequency Max.	1500Hz

Housing Material	ABS
Window Material	PMMA
Temperature Range	-25...65 °C
Enclosure Rating	IP67
Short Circuit Protection	Yes
Voltage Reversal Protection	Yes
Weight	6 g

Wiring Diagram:



Reservamo-nos do direito de modificar qualquer informação contida neste site sem prévio aviso
 Tecnotron Automação & Controles Industriais | Rua vera cruz, 305 - CEP: 06423-010 - Barueri - SP
 Tel: +55 (11) 2744-1211 | www.tecnotron.ind.br